

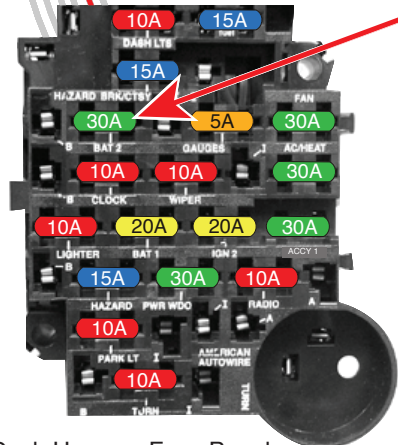
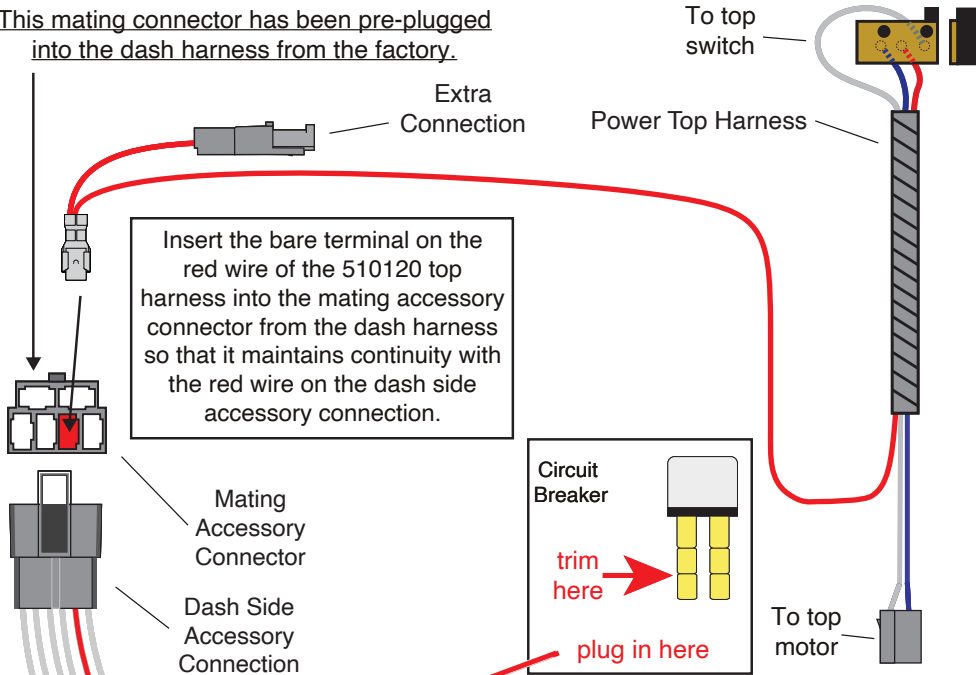
**INSTRUCTIONS:**

1. Insert the bare terminal on the red wire into the mating accessory connector as shown below, then plug that connector back into the dash harness accessory connection.
2. Plug the power top harness into the motor connection and into the power top switch.
3. Remove the 30A fuse from the "BAT 2" location in the fuse panel and replace it with the provided 30 A circuit breaker. This breaker will need to be trimmed as shown below, before inserting.



www.americanautowire.com 856-933-0801

This mating connector has been pre-plugged into the dash harness from the factory.



Dash Harness Fuse Panel

PART # **510120**  
 DESCRIPTION:  
**POWER TOP KIT**  
 1968-1972 Chevelle  
 Classic Update Series  
 92969187 Instruction Sheet rev 2.0 5/24/2024

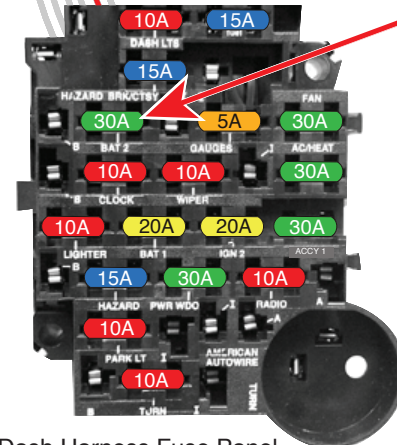
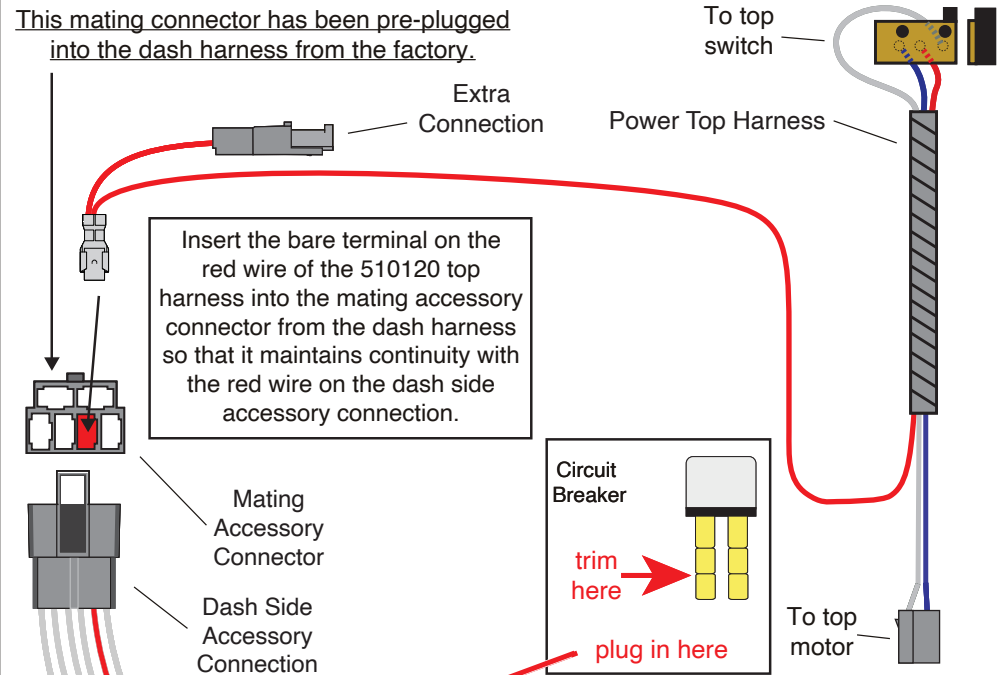
**INSTRUCTIONS:**

1. Insert the bare terminal on the red wire into the mating accessory connector as shown below, then plug that connector back into the dash harness accessory connection.
2. Plug the power top harness into the motor connection and into the power top switch.
3. Remove the 30A fuse from the "BAT 2" location in the fuse panel and replace it with the provided 30 A circuit breaker. This breaker will need to be trimmed as shown below, before inserting.



www.americanautowire.com 856-933-0801

This mating connector has been pre-plugged into the dash harness from the factory.



Dash Harness Fuse Panel

PART # **510120**  
 DESCRIPTION:  
**POWER TOP KIT**  
 1968-1972 Chevelle  
 Classic Update Series  
 92969187 Instruction Sheet rev 2.0 5/24/2024